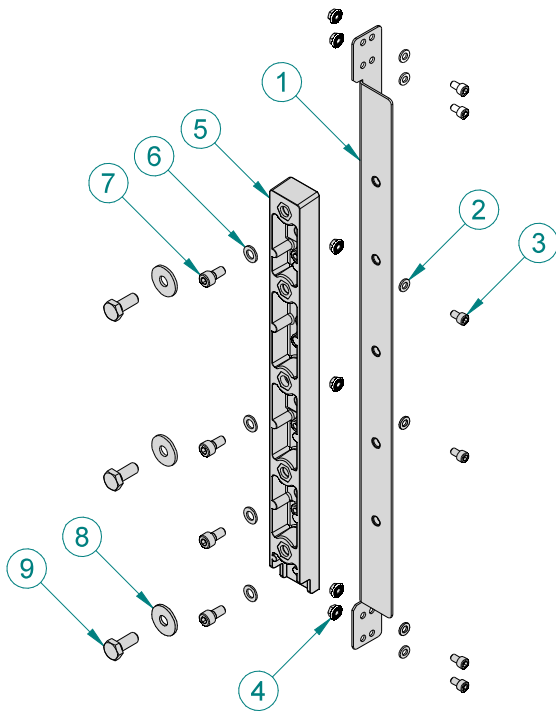


LG-T-B185-H P3 001341850



LG-T-B185-H P3 001341850			
No.	Type ETI	Name	Pcs.
1	LG-T-B185-H-P3-C	Support	1
2	AW-R 6	Washer M6 DIN126 Zn	6
3	AS-SH 6x10	Screw M6x10 DIN912	6
4	AN-FSH 6	Nut flange serrat DIN6923 Zn	6
5	POP 100/185	Support	1
6	AW-R 8	Washer M8 DIN126 Zn	4
7	AS-SH 8x16	Screw M8x16 DIN912	4
8	AW-RE 10	Washer M10 DIN9021 Zn	3
9	AS-H 10x25	Screw M10x25 DIN933 Zn	3

